



---

**Owner's Manual  
and  
Installation Instructions**

---

**Models:**      **PLS 600 V**  
                     **PLS 602 SV**  
                     **PLS 602 NFV**



Money Isn't All You're Saving

# INTRODUCTION

**Congratulations** on your new Equator Dishwasher. In addition to its award winning design, this is a highly sophisticated engineered product that will give you many years of satisfaction. Please spend a few moments to read the Owners Manual. This will show you ways to best utilize your valuable purchase.

Here are 14 of the best reasons for buying your Dishwasher:

## 1. Compact Size

The Dishwasher has a compact size of 20 x 20 x 20. It can fit on a tabletop or any place that is convenient.

## 2. Water and Sewage Savings

Your Dishwasher uses only about 4.75 gallons of water in a Normal load (compared with 11-14 gallons in regular dishwashers). Less water results in a reduced sewage bill.

## 3. Energy Savings

Since the Dishwasher uses a small amount of water to clean the dishes there is less water to be heated. This results in substantial energy savings. This unit consumes only 249 KWh/Yr of Energy (range 277-426 KWh/Yr) or 28 KWh/Yr below any other comparable product. It provides economical service at \$ 21/year (based on use 6 times per week).

## 4. Detergent Savings

Since there is a reduced amount of water being used combined with the fact that the water is heated up to 150° F, the amount of detergent needed for a standard load is no more than a tablespoon.

## 5. Rack Capacity

The Dishwasher can accommodate either 30 glasses or 36 plates (large and small mixed) on its racks. This is very convenient for use by small families, individuals, seniors, and offices.

## 6. Water Temperature Selection

A temperature selection switch allows the Dishwasher to be heated to either 120° F or 150° F for standard or heavy wash of dishes.

## 7. Convenience

Your Dishwasher can be installed as a freestanding unit with the faucet-adapter attachment included.

## 8. Built-in installation

The convenient size of the Dishwasher allows it to be built-into a cabinet.

## 9. Rinse-Aid

Your Dishwasher is equipped with an automatic rinse-aid dispenser.

## 10. Easy Clean Filter

The easy-to-clean filter allows any collected remnants of food to be removed from the Dishwasher.

## 11. Wash Options

The unit is a full-featured Dishwasher. It has four wash options - heavy wash, normal wash, light wash, and rinse.

## 12. Fast Wash (NF Models Only)

In the NF models, with the press of a button, the Dishwasher can do a fast wash - a convenient feature for light washing of dishes. A fast wash can be done within 25 minutes.

## 13. Spray Arms

Your one-spray arm dishwasher is ideal for regular dish cleaning and especially convenient for glasses. The dual-spray arm dishwasher is good for both standard and heavy dish loads, pots and pans, etc.

## 14. Easy-to-Clean Exterior

The enameled metal cabinet and the high quality poly-molded door that make up the exterior of the Dishwasher make it easy to clean with just a damp kitchen towel.

# WARRANTY INFORMATION

**Your Equator® appliance is protected by this warranty under normal personal, family or household use in the USA & CANADA**

## FULL ONE YEAR WARRANTY

Equator corporation undertakes to the consumer-owner to repair or, at Equator Corporations option, to replace any part of this product which proves to be defective in workmanship or material under normal personal, family or household use, in the USA & CANADA, for a period of one year from the date of original purchase. During this one year, Equator Corporation will provide all labor and parts necessary to correct such defect, free of charge if the appliance has been installed and operated in accordance with Equator Corporation written instruction furnished with the appliance. Ready access to the appliance, for service, is the responsibility of the consumer-owner.

## EXCLUSIONS

In no event shall Equator Corporation be liable for incidental or consequential damages or for damages resulting from external causes such as abuse, misuse, incorrect voltage or acts of God.

This warranty does not cover service calls which do not involve defective workmanship or materials covered by this warranty. Accordingly, diagnosis and repair costs for a service call which does not involve defective workmanship or materials will be the responsibility of the consumer-owner. Some states do not allow the exclusion or limitation of incidental or consequential damages, so the above limitation or exclusion may not apply to you.

## WARRANTY SERVICE

This warranty is given by Equator Corporation, Equator Plaza, 10067 Timber Oak Drive, Houston, Texas 77080-7045. Service under this warranty must be obtained by the following steps, in order:

- 1) Call an Equator Corporation Authorized service Agent (Obtain number of nearest agent from your dealer or telephone directory). Under normal circumstances, service agent will be provided during regular business hour (9:00 a.m. to 5:00 p.m. weekdays).
- 2) If service or number cannot be obtained, call the toll-free line (800) 935-1955 for assistance (or send an e-mail to [service@equatorappliances.com](mailto:service@equatorappliances.com)).

## GENERAL

Since it is the responsibility of the consumer-owner to establish the warranty period by verifying the original purchase date, Equator Corporation recommends that a bill of sale, delivery slip or some other appropriate payment record be kept for that purpose. This warranty gives you specific legal rights, and you may also have other rights which vary from state to state.

## EQUATOR CORPORATION

Equator Plaza

10067 Timber Oak Drive

Houston, Texas 77080-7045

(713) 464-3422

(800) 935-1955

[mail@equatorappliances.com](mailto:mail@equatorappliances.com)

## CAUTION



**RISK OF ELECTRIC SHOCK  
DO NOT OPEN**



**CAUTION: TO REDUCE THE RISK OF ELECTRICAL SHOCK DO NOT REMOVE COVER OR BACK. DO NOT EXPOSE TO RAIN OR MOISTURE.**

**NO USER SERVICEABLE PARTS INSIDE.**

**REFER SERVICING TO QUALIFIED SERVICE PERSONNEL.**

The model number and serial number for this product may be found on the label affixed to the side of the unit.

You should note the model and serial numbers of this unit in the space provided, and retain this booklet as a permanent record of your purchase to aid in a identification in the event of warranty claims.

**MODEL NUMBER:** .....

**SERIAL NUMBER:** .....

**PURCHASE DATE:** .....



A lightning flash symbol within a triangle is intended to alert the user to the presence of un-insulated dangerous voltage within the products enclosure a risk of electric shock to persons.



An exclamation point within a triangle is intended to alert the user to the presence of important operating and maintenance (servicing) instructions in the literature accompanying the appliance.

## WARNING !

**TO PREVENT FIRE OR SHOCK HAZARD,  
DO NOT EXPOSE THIS PRODUCT TO  
RAIN OR MOISTURE.**

## IMPORTANT ELECTRICAL REQUIREMENTS

- A) The electrical outlet for the appliance must be installed in a cabinet or on a wall adjacent to the under-counter space in which the appliance is installed.
- B) There must be an opening through the partition between the compartments specified in (paragraph A) that is large enough for the plug to pass through. The longest dimension of the opening shall not be more than 1 .
- C) The edges of the opening specified in (paragraph B) must be smooth and rounded if the partition is wood. If the partition is metal, the edges of the opening must be covered with an edge protector.
- D) Use caution when the appliance is installed or removed to reduce the likelihood of damage to the power cord.

### GROUNDING INSTRUCTIONS

This appliance must be grounded. In the event of a malfunction or breakdown, grounding will reduce the risk of electric shock by providing a path of least resistance for electrical current. This appliance is equipped with a cord having an equipment-grounding conductor and a grounding plug. This plug must be plugged into an appropriate outlet that is installed and grounded in accordance with all local codes and ordinances.

**WARNING!** Improper connection of the equipment-grounding conductor can result in a risk of electrical shock. Check with a qualified electrician or service representative if you are in doubt whether the appliance is properly grounded. Do not modify the plug provided with the appliance ; if it will not fit the outlet, have a proper outlet installed by a qualified electrician.

## IMPORTANT SAFETY INSTRUCTIONS

**WARNING !** When using your dishwasher, follow these basic precautions.

- A) Read all instructions before using the dishwasher.
- B) Use the dishwasher only for its intended function.
- C) Use only detergents recommended for use in a dishwasher and keep them out of the reach of children.
- D) When loading items to be washed:
  - 1. Position sharp items so that they are not likely to damage the door seal;
  - 2. Load sharp knives with the handles up to reduce the risk of injury
- E) Do not wash plastic items unless they are marked dishwasher safe or the equivalent. For plastic items not marked, check the manufacturer's recommendations.
- F) Do not touch the heating element during or immediately after use.

- G) Do not operate your dishwasher unless all enclosure panels are properly in place.
- H) Do not tamper with controls.
- I) Do not abuse, sit on or stand on the door or dish rack of the dishwasher.
- J) Do not allow children to play in, on or with the dishwasher.
- K) Under certain conditions, hydrogen gas may be produced in a hot water system that has not been used for two or more weeks. **HYDROGEN GAS IS EXPLOSIVE**, if the hot water system has not been used for such a period, before using the dishwasher turn on all hot water faucets and let the water flow from each for several minutes. This will release any accumulated hydrogen gas. Since the gas is flammable, do not smoke or use an open flame during this time.
- L) Remove the door to the washer compartment when removing an old dishwasher from service or discarding it.

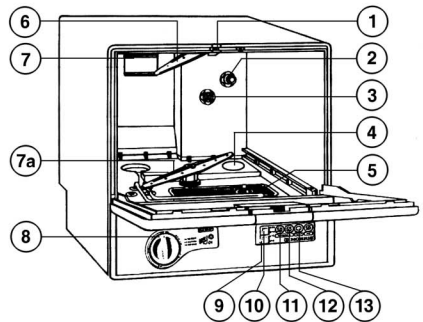
# TECHNICAL SPECIFICATIONS & PARTS LIST

## Specifications

|                              |   |
|------------------------------|---|
| Models: . . . . .            | PLS 600/600NF/602S/602NF  |
| Power Supply: . . . . .      | 120V~60Hz, 10 Amp   |
| Heater: . . . . .            | 1200-1400W  |
| Circulating Pump: . . . . .  | 170W  |
| Discharge Pump: . . . . .    | 65W   |
| Consumption: . . . . .       | 0.7 kwh for heavy wash cycle  |
| Water Consumption: . . . . . | 4.75 U.S. gallons (4 IMPERIAL gallons) for heavy wash cycle   |
| . . . . .                    | 3.56 U.S. gallons (3 IMPERIAL gallons) for normal wash cycle  |
| Water-Inlet Hose: . . . . .  | .7ft. (3/4"fitting)   |
| Water Outlet Hose: . . . . . | .7ft. length  |
| Power Cord: . . . . .        | .5ft. length  |
| Net Weight: . . . . .        | 46 Lbs  |
| Dimensions: . . . . .        | 19 <sup>1</sup> / <sub>2</sub> "H x 19 <sup>3</sup> / <sub>4</sub> "W x 19 <sup>3</sup> / <sub>4</sub> "D |

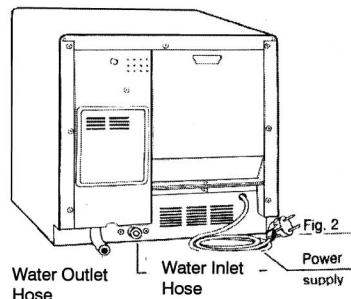
## Diagram

1. Safety switch
2. Rinse aid container
3. Rinse aid dispenser
4. Water inlet
5. Drain filter
6. Upper spray arm  
(PLS 602S & PLS 602NF only)
7. Steam vent
- 7a. Lower spray arm
8. Control knob
9. Fast wash button
10. Temperature select button
11. Low heat indicator
12. High heat indicator
13. Fast wash indicator (PLS 600NF/602NF),  
Temp. boost indicator (PLS 600/602S)



## Accessories

- Owner s Manual
- Double-level rack
- Silverware basket
- Water inlet hose
- Water outlet hose(attached to machine)
- Faucet Adapter
- U-Connector (for drain hose)
- Plate holders (2) - For model PLS 600/NF only

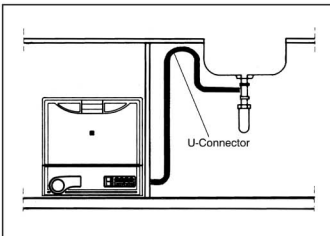


# INSTALLATION

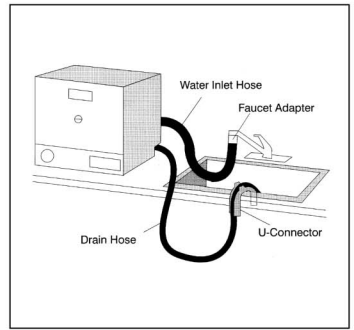
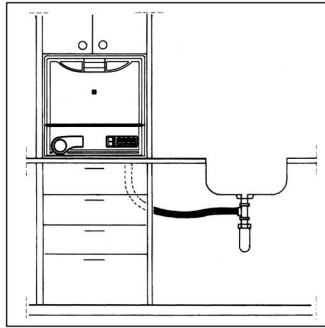
## Position of the Dishwasher

The dishwasher can be placed on the counter, or it can be built-in under a counter. Do not place any objects on the door when it is open. This will cause the dishwasher to tip over or fall.

Your dishwasher should be placed horizontally so the door opens downward and the dish rack can roll out smoothly.



Built-in installation



## Water Hoses

Your dishwasher can use water directly from your faucet or it can be built-in under a counter. When installing the dishwasher as a built-in unit there should always be a valve between the water source and the dishwasher.

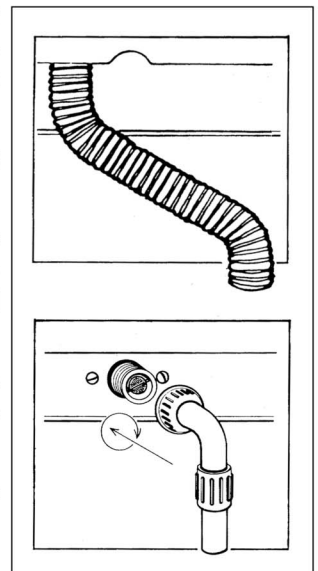
Attach the straight end of the water inlet hose to the sink faucet.

**Flush Hose-** Before attaching the water inlet hose to the machine let the tap water flow momentarily in order to clear the hose of any debris that may have collected during shipping.

Attach the angled end of the water inlet hose to the connection at the back of the dishwasher. Tighten the connection by hand.

If the connection leaks, use a wrench to completely tighten the connections.

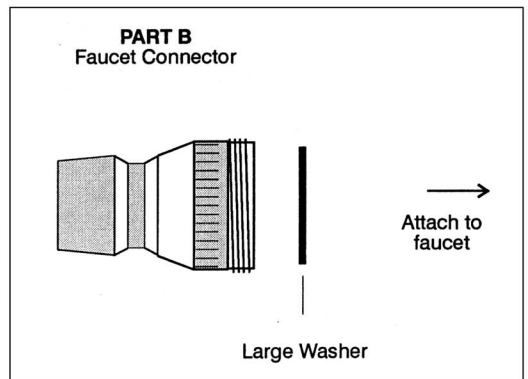
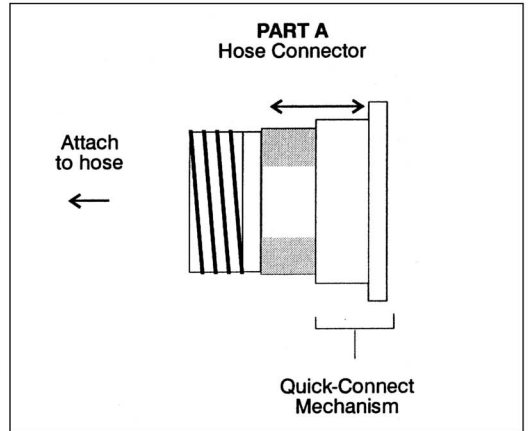
**Be sure not to over-tighten!**



## Faucet Adaptor

If your sink and the water inlet hose connection are not the same size you will need to use the faucet adaptor to connect the hose to the faucet. The faucet adaptor is included with your dishwasher.

1. Securely attach hose connector (PART A) to hose.
2. Try to attach Faucet Connector (PART B) to faucet with Faucet Connector's outside threads. If diameter to Faucet Connector is too large, remove large washer from inside Faucet Connector and try attaching with inside threads.
3. With one hand hold the end of the hose with hose connector attached. With other hand pull back on the white plastic Quick-Connect Mechanism. Slip hose connector over the end of the Faucet Connector. Release Quick-Connect Mechanism.
4. Slowly turn on water supply and check for leaks. Tighten or adjust connection points if necessary.
5. Please read CAUTION below before disconnecting Quick-Connect Faucet Adapter. To remove, turn off water supply, pull back on Quick-Connect mechanism and separate from faucet connector. Drain excess water from hose.



**CAUTION !** After machine has completed all cycles, and power is turned off, Quick-Connect Faucet Adapter may be carefully removed following the steps above. Please note that there may be pressure in the hose even after machine and water (possibly hot) to spray from Quick-Connect coupling. Please exercise EXTREME caution when disconnecting, especially when hot water is used. PLEASE KEEP YOUR FACE CLEAR OF COUPLING AND DISCONNECT AT ARMS LENGTH. KEEP AWAY FROM CHILDREN WHEN IN OPERATION.